

# NEWSLETTER

November 2023



Leonie  
**Hiscutt** MLC  
Liberal Member for Montgomery

Printing compliments of the Hon. Leonie Hiscutt MLC  
36 King Edward Street, Ulverstone | 6425 8300 | [leonie.hiscutt@parliament.tas.gov.au](mailto:leonie.hiscutt@parliament.tas.gov.au)







- The very latest Common Rail Testing Equipment & Diagnostics
- Service Dealer for Delphi Fuel Systems
- Log Book and Vehicle Lease Servicing – Cars, 4WD, Petrol and Diesel
- Fuel Pump and Injector Rebuilds
- Turbo Sales and repairs
- ECU Remapping
- Pre Filter Kits



**Do you need your vehicle serviced?**

*If so call the team at*

**Burnie Fuel Injection Service**

3 Durham Rd, Cooee

Call Heath Shipley on

Phone 03 6431 5089



admin@burniefuelinjection.com.au

www.burniefuelinjection.com.au

# **SPEEDY TYRES**

Do you need new tyres or a wheel alignment?

Do your tyres need a balance?

Do you need a new battery?

Call in and see us at

59 Formby Rd.,

Devonport or

phone

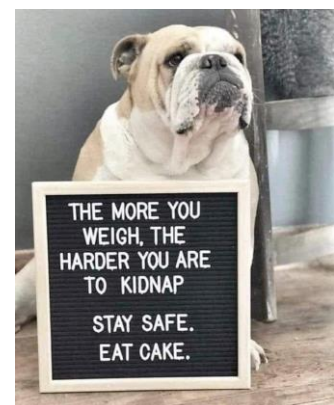
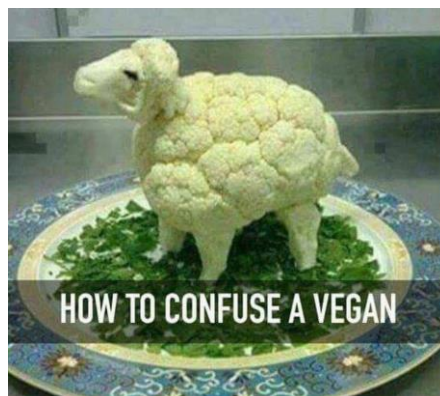
**Brenden Healey**

on 6424 8344



**BRIDGESTONE**

**WINDFORCE**





# EVENTS

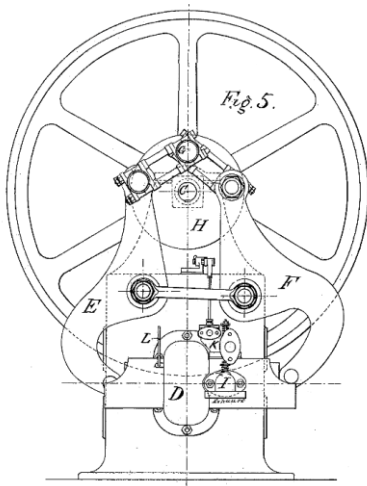
Please refer to the separate sheet for the events list. Contact John Booth if you have any event related questions. Print the sheet out and stick it on your fridge 😊



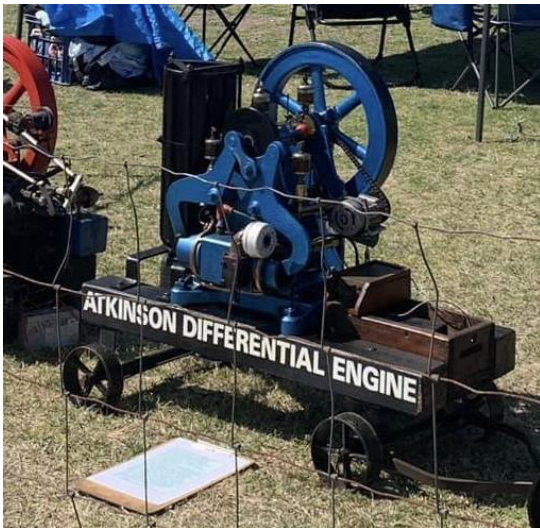
The club had a good display at the Launceston Show, South Riana's 80<sup>th</sup> anniversary and Pearn's Steamup over the last 3 months, although it did prove a bit tiring for some.



# THE ATKINSON DIFFERENTIAL ENGINE



The Atkinson-cycle engine is a type of internal combustion engine invented by James Atkinson in 1882. He produced three different designs that had a short compression stroke and a longer expansion stroke. The first Atkinson-cycle engine, the differential engine, used opposed pistons. The second design was the cycle engine, which used an over-centre arm to create four piston strokes in one crankshaft revolution. The reciprocating engine had the intake, compression, power, and exhaust strokes of a single turn of the crankshaft, and was designed to avoid infringing certain patents



An Atkinson differential engine on display at Clarendon Classic Rally



An Atkinson Differential engine in miniature

## CHRISTMAS PARTY

The club Christmas dinner is to be held Thursday 7th of December 7pm  
\$40 a head for traditional two course Christmas Dinner.  
To be held Ulverstone Bowls Club.

**PLEASE CONTACT KARYN HAINES BEFORE 24<sup>th</sup> NOVEMBER.**

The usual Raffle will be held



Offering trade prices on some articles and 25% to 50% on other items where applicable.



Hand tools, Power tools, Fasteners, Abrasives and all Industrial Engineering Supplies.

**PRECISION TOOL AND WELDING SUPPLY CENTRE**  
**33 WENVOE ST., DEVONPORT**  
**6424 6699**

Members need to present membership badge to be eligible for DISCOUNT. Well worth your support



**BAKES SAWMILL P/L**  
**847 Claude Rd.,**  
**SHEFFIELD**

For all your sawn timber needs please give us a call

**6491 1699**

Mick Jagger is 80, Mitch McConnell is 81. The benefits of a life of sex, drugs and Rock'n'Roll should not be ignored!





## MEETINGS

Meetings are held in the Penguin club rooms on the first Tuesday of each month at 7.30 pm except January

# TILT PRO TASMANIA

**Brett Johnson**  
**0433 120 172**

**ANYTHING, ANYWHERE,  
ANYTIME!**

If it fits on the truck I'm happy to transport anything! Competitive rates!! Fast friendly service!!



ARE YOU  
LOOKING  
FORWARD  
TO SUMMER?

I LIVE IN TASMANIA

Midland hwy golf  
now open!



Iron Pot lighthouse



The Abel Tasman

# BUY & SELL

## WANTED TO BUY

Item	Details	Contact	Phone No.
<b>Vintage Axes</b>	Do you have any old axes laying around in your shed?	Ian Clayton	0400 624 805
<b>Motor</b>	Older style motor to power a 40-foot boat	Roy Jennings	0422 550 151

## WANTED TO SELL

Item	Details / Price	Contact	Phone No.
<b>Various iron wheels Villiers motors Allis Chalmers WD parts</b>	Prices negotiable	Barry Gillies	0457 449 621
<b>AOS6 International tractor</b>	In good order. Open to offers	Colin Good	0429 666 933

## CLUB MERCHANDISE

		
Cloth Patch \$10	Car Sticker \$1	Metal Badge \$8
Limited quantities of T-Shirts & Polo Tops Contact Karyn Haines		

## VALE BARRY SMITH

Recently we said goodbye to Barry Smith. Barry was a much-respected member of the club and a regular at shows. We offer our condolences to his family and friends; he will be much missed.



Barry's displays at Pearn's Steamup over the last 2 years

## The Historical Machinery Club of Tasmania Inc

P.O. Box 460, Devonport, Tas. 7310

email: [hmctinc@gmail.com](mailto:hmctinc@gmail.com)

[www.hmct.com.au](http://www.hmct.com.au)

Submissions for the newsletter are welcome.

Do you have a story or photo to share?

Please send your items either by email to:

[allan.wilton@bigpond.com](mailto:allan.wilton@bigpond.com)

Or post to: 6 Hopkins Street, Leith 7315

## CLUB CONTACTS 2022-2023

Position	Name	Phone No	Email
<b>President</b>	Ian Clayton	0400 624 805	prestonparkdexters@bigpond.com
<b>Vice President</b>	John Booth	0417 228 247	
<b>Secretary</b>	John Booth	0417 228 247	hmctinc@gmail.com
<b>Assistant Secretary</b>	Vacant		
<b>Treasurer</b>	Lyn Richards	0429 968 623	lynrichards56@gmail.com
<b>Assistant Treasurer</b>	Allan Wilton	0409 516 290	allan.wilton@bigpond.com
<b>Public Officer</b>	Allan Wilton	0400 624 805	allan.wilton@bigpond.com
<b>Events Coordinator</b>	John Booth	0417 228 247	
<b>Events Coordinator Assistants</b>	Derrel Haines Nicholas Mantje Harry Nolan	03 6435 7631 0448 784 788 0409 429 274	
<b>Property Officers</b>	Derrel Haines John Booth Lloyd Tunbridge	03 6435 7631 0417 228 247 0418369167	
<b>Newsletter Editor</b>	Allan Wilton	0409 516 290	allan.wilton@bigpond.com
<b>Safety Officers</b>	Rodney Springer David Burk Nicholas Mantje Harry Nolan John Spencer Duncan Mantje Phil Burrows Greg Richards Lloyd Tunbridge	03 6344 6040 / 0407 746 040 03 6424 3133 0448 784 788 0409 429 274 0417 511 540 0418 562 258 0419 527 246 0427 584 801 0418 369 617	

# MAGGYMAN

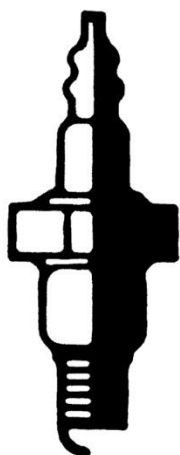
Contact Paul Johnson  
for all your Magneto Repairs & Sales

## 0428 160 322

[magneto88@bigpond.com](mailto:magneto88@bigpond.com)

PO Box 1375

Naracoorte SA 5271





## IMPORTANT - SAFETY INFORMATION

In this issue I have attached a letter from NHMA President Peter Garnham and the NHMA Golden Safety Rules. These have been sent to all clubs and provide good guidelines for conducting safe events.

We understand that it can seem to be a “bit of a nuisance” having all of these rules and regulations but the facts behind them are very simple. These are our safety guidelines, in conjunction with our own safety procedures.

It may all seem a bit bureaucratic but if these guidelines are not followed and we are unfortunate enough to have an accident, **we will not be covered by insurance.**

It is much better to spend our efforts getting it right and doing our best to avoid incidents than it is to spend time defending claims.

Our safety officers have a very important job and we must respect them.

If you have any questions about insurance, please contact our NHMA rep, Lyn Richards

Allan Wilton  
Newsletter editor

### LETTER FROM NHMA PRESIDENT PETER GARNHAM

*Dear NHMA members*

*I write this letter as a forward to the “Golden Rules “which to me means those of our rules which are absolutely set in concrete. The document should be read as the headlines of our safety management system found in our Rally Handbook and agreed with our insurers.*

*Many of you will be aware none of these are new and traditionally these have always been there, and we all have had to abide by them for years, it’s just a quick guide for every member to take, not only when setting up and running your exhibit at a rally, but it is good practice for whenever you run an engine, even at home.*

*Please read and commit them to memory, as we all want to go home to our families after a great day at a rally.*

*Regards*

*Peter Garnham  
President NHMA*



## NHMA GOLDEN SAFETY RULES

NHMA Safety Management System provides guidelines to ensure a high level of safety for our activities. The guidelines apply to all participants during all club events and activities. Below is a high-level summary of points essential to ensure compliance with the Safety Management System and maintain your and the public's safety.

- **Rally Co-ordinator** - Is responsible for the control of all exhibits and must ensure a **documented** rally risk assessment is carried out in conjunction with daily toolbox meetings.
- **Insurance and Age Limits** - The minimum age for machinery exhibitors is 10 years and all exhibitors must have appropriate public liability insurance.
- **Clothing** - Appropriate clothing and footwear should be worn at all times.
- **Exhibit Placement** - All powered mechanical exhibits must be fenced. The 1.5 away from the fence and 1 metre between exhibits rule should be followed as a minimum with flywheel and belt operation parallel to the compound fence.
- **Unloading and loading**- Ensure adequate space and the suitability of winches etc. being used. Do not hold onto suspended loads during loading/unloading exhibits but rather use a tag line.
- **Licensing** -Where applicable exhibitors and participants must be appropriately high risk licenced and pressure vessels certified.
- **Public Entry to Compounds** - Non-insured persons may enter compounds at the discretion of the rally coordinator provided that they are appropriately inducted and escorted at all times.
- **Exhibit Supervision and Refuelling** -Operating exhibits must be attended at all times by a person **capable of safely operating the device**. Internal combustion engines must not be refuelled while operating.
- **Belt Starting** -Loose belt starting of an exhibit from a running engine is prohibited.
- **Hazard Consideration** - Particular care should be given to the potential hazards of displays:
  - **Drive belts, Drive chains & Drive shafts (Entanglement)**
  - **Gearing, cogs, wheels (Crushing & Entrapment)**
  - **Blades, spikes, cutters, propellers (Cutting & Crushing)**
  - Exhausts, cooling water, fuel & other chemicals (Burns)
  - **Excess noise**
- **Alcohol & Illicit Drugs** - Must not be consumed in compounds or while operating machinery.
- **Tractor Activities** - Only permitted in a public excluded areas. Passengers are not allowed unless there is an allocated seat. Modified tractors are not permitted to take part in NHMA insured tractor pulls.
- **Driver Qualification** - Tractor operators must be appropriately licenced or accepted as competent by the Rally organisers.
- **Moving Tractors In Public Rally Spaces** - Restricted to walking pace under a marshal's supervision.
- **Public Roads** - Tractors operated on public roadway must comply with State or Territory registration, insurance and licencing requirements.
- **Static Tractor Displays** - May be displayed outside compounds provided that unauthorized access is managed, and that the vehicle is rendered inoperative and in a stationary condition.

**Peter Garnham**  
President NHMA



## MEMBERSHIP LIST

Ian	Bessell	245 Arthurs Lake Rd	ARTHURS LAKE		0427 871 476
Kathleen	Best	17 Old Cam Rd	SOMERSET	03 6435 2953	
Halina	Billing	27 Rowland Cres.	SUMMERHILL		0427 337 387
Lutz	Bockisch	25 Leila Ave	SPREYTON		0468 318 566
John	Booth	100 Madden St	DEVONPORT		0417 228 247
Nigel	Boyd	1 Gatty Place	DEVONPORT	03 6424 5294	0419 201 850
Travis	Braid	32a Latrobe Rd	RAILTON		0477 155 697
Kerry	Bradbury	596 Scotchtown Rd	IRISHTOWN	03 6456 1222	0429 097 611
Neil	Broomhall	20 Dahlia Court	DEVONPORT		0428 361 634
Sherryl	Broomhall	20 Dahlia Court	DEVONPORT		0477 017 709
Clynton	Brown	26 Gravelly Beach Rd	BLACKWALL		0438 343 304
Ern	Bryan	7 Marion St	ULVERSTONE		0467 303 367
David	Burk	4 Maxfield Court	DEVONPORT	03 6424 3133	
Judy	Burk	4 Maxfield Court	DEVONPORT	03 6424 3133	
Phillip	Burrows	300 Forsyth Hill Rd	RINGAROOMA		0419 527 246
Cheryl	Bussey	712 Quamby Brook Rd	DELORAINIE	03 6362 2614	
Graeme	Bussey	712 Quamby Brook Rd	DELORAINIE	03 6362 2614	
Lexia	Butler	88 Josephine St	ULVERSTONE		0407 426 830
Peter	Butler	88 Josephine St	ULVERSTONE	03 6425 9133	0419 902 786
Adrian	Cameron	83 South Rd	PENGUIN		0419 147 309
Donald	Cameron	89 West Ridge Rd	PENGUIN	03 6437 2391	0427 871 497
Miriam	Cameron	89 West Ridge Rd	PENGUIN	03 6437 2391	0409 948 611
Ron	Casey	176 Main Rd	PENGUIN	03 6437 1419	
Eric	Chatwin	41 Deviation Rd	PENGUIN	03 6437 2627	0429 372 627
Graham	Chatwin	41 Deviation Rd	PENGUIN	03 6437 2627	
Stephen	Chatwin	1400 Pine Rd	RIANA		0459 434 949
Margaret	Chatwin	41 Deviation Rd	PENGUIN	03 6437 2627	
Ivan	Chatwin	1400 Pine Rd	RIANA		0459 434 929
Ian	Clayton	64 Leven St	ULVERSTONE	03 6429 1121	0418 496 986
Pauline	Clayton	64 Leven St	ULVERSTONE	03 6429 1121	0418 496 986
Luke	Cole	38 Weston St	DELORAINIE		0497 604 270
Robert	Cooke	68 Cookes Rd	RIANA	03 6437 6167	0447 172 301
Trevor	Cowan	191 Mud Walls Rd	COLEBROOK		0428 722 677
Stewart	Cunningha	42 Lewis St	LATROBE	03 6426 2228	0409 642 622
Alison	Denison	471 Flowery Gully Rd	BEACONSFIELD	03 6396 3302	0418 130 461
John	Denison	471 Flowery Gully Rd	BEACONSFIELD	03 6396 3302	0418 130 461
Carl	Dick	129 Wyllies Rd	RIANA	03 6437 6165	
Rick	Diprose	91 Hoares Lane	ELLIOTT	03 6436 3257	0438 421 020
Richard	Edmunds	41 Anstey St	SIDMOUTH	03 6394 7742	0437 213 239
David	Elson	15 Dalwood Rd	BARRINGTON		0418 580 666
Thomas	Elson	15 Dalwood Rd	BARRINGTON		0474 569 545
Joan	Fielding	27 Josephine St	ULVERSTONE	03 6425 7970	0400 962 087
Kelvin	Fielding	27 Josephine St	ULVERSTONE	03 6425 7970	0400 962 087
Angela	Gardam	35 Morrison St	RAILTON		0477 155 697
Leon	Gardam	35 Morrison St	RAILTON		0427 770 409
Ricky	Gardam	20 New St	WYNYARD		0417 542 566
Gerard	Gelston	159 Bengo Rd	DELORAINIE		0407 681 161
Thomas	Gelston	1 Maringa Place	DEVONPORT		
Barry	Gillies	19 Cameron St	ST. MARYS		0457 449 621
Rex	Green	448 Ironcliffe Rd	PENGUIN		0408 142 630
John	Groom	2 Claude Place	OCEAN VISTA	03 6431 4358	0437 567 207
Derrel	Haines	309 North Prospect Rd	WEST RIDGLEY	03 6435 7631	
Karyn	Haines	309 North Prospect Rd	WEST RIDGLEY	03 6435 7631	0427 477 655
Heather	Harris	114 Pelissier St	SOMERSET	03 6435 2246	0499 044 419
Ray	Harris	15 Martin St	WYNYARD		0409 850 745
Robert	Hill	109 Dexter St	WESTBURY		0476 074 219
Leonie	Hiscutt	42 Nine Mile Rd	PENGUIN	03 6425 8300	0419 361 110
David	Hobman	165 Dexter St	WESTBURY	03 6393 1819	0400 725 080



Leigh	Order	18 Teggs Rd	GRAVELLY		0439 314 486
Tracey	John	89 westridge Rd	PENGUIN		0419 897 692
Geoffrey	Jones	174 Loop Rd	GLENGARRY		0419 507 897
Audrey	Jongschaap	211 Gravelly Beach Rd	GRAVELLY	03 6394 4286	0427 503 897
Eddie	Jongschaap	211 Gravelly Beach Rd	GRAVELLY	03 6394 4286	0427 503 897
Michael	Kringle	96 Main St	ST MARYS		0455 575 341
Ian	Le Fevre	7 Dandenong Rd	TREVALLYN	03 6331 8254	0417 311 694
Brian	Ling	202 Allport St	LEITH		0418 513 431
Kaye	Ling	202 Allport St	LEITH		0437 185 595
Andrew	Lyne	14 Ronald Place	NORWOOD	03 6344 3219	0408 977 861
Alex	Mantje	265 Bakers Rd	LOWER WILMOT	03 6492 1250	0418 562 258
Duncan	Mantje	265 Bakers Rd	LOWER WILMOT	03 6492 1250	0418 562 258
Isaac	Mantje	265 Bakers Rd	LOWER WILMOT	03 6492 1250	0418 562 258
Jeffery	Mantje	265 Bakers Rd	LOWER WILMOT	03 6492 1250	0418 562 258
Nicholas	Mantje	308 Mannings Jetty Rd	NTH. MOTTON		0448 784 788
Sarah	Mantje	265 Bakers Rd	LOWER WILMOT	03 6492 1250	0418 562 258
Lloyd	Marshall	107 Cornelius Rd	SASSAFRAS	03 6426 7334	0419 540 167
Barbara	Moore	74 Inglis St	WYNYARD	03 6442 2364	0428 587 807
Harry	Nolan	41 Sassafras St	PERTH	03 6398 1598	0409 429 274
Dale	Oakley	109 Dexter St	WESTBURY		0420 578 624
Geoff	Pearn	227 Veterans Row	WESTBURY	03 6393 1524	0417 552 458
Douglas	Preece	1 Cameron St	ST MARYS		0402 305 465
Barrie	Rawson	27A Mace St	MONTELLO		0470 189 507
Verne	Reeves	28 Hull St	LEITH	03 6428 3428	0439 644 464
Greg	Richards	201 Stoodley Rd.	STOODLEY		0427 584 801
Jack	Richards	201 Stoodley Rd.	STOODLEY		
Jason	Richards	201 Stoodley Rd.	STOODLEY		
Lyn	Richards	201 Stoodley Rd.	STOODLEY		0429 968 623
Benjamin	Schuuring	2 Rubida Drive	SCOTCHTOWN		0427 810 969
Stephen	Scott	18 Henrietta St	BRACKNELL		0407 018 768
Greg	Spencer	29 Meander Valley Rd	WESTBURY	03 6393 2576	0409 976 372
John	Spencer	5 Cheltenham Way	LAUNCESTON	03 6343 1989	0417 511 540
Luke	Spencer	5 Cheltenham Way	LAUNCESTON	03 6343 1989	
Trudy	Spencer	29 Meander Valley Rd	WESTBURY	03 6393 2576	
Alison	Springer	278 Relbia Rd	RELBIA	03 6344 6040	0407 746 840
Jeffrey	Springer	20 Gray Rd	ST. MARYS	03 6372 2025	0418 327 593
Rodney	Springer	278 Relbia Rd	RELBIA	03 6344 6040	0407 746 040
Dulcie	Steers	78 Pelissier St	SOMERSET	03 6435 1727	
Max	Steers	196 Best St	DEVONPORT	03 6423 5117	0410 018 542
Don	Stubbs	152 Gawler Rd	ULVERSTONE	03 6425 7343	0437 949 618
Leeann	Tunbridge	303 Tugrah Rd	DEVONPORT		0407 909 493
Lloyd	Tunbridge	303 Tugrah Rd	DEVONPORT		0418 369 617
Peter	Unwin	Villa 39, Manor Garden	KINGS MEADOWS	03 6330 1628	0409 230 506
Elaine	Voss	77 Saunders St	WYNYARD	03 6442 2737	0409 976 582
Tina	Voss	20 New St	WYNYARD		0477 775 424
Viv	Voss	77 Saunders St	WYNYARD	03 6442 2737	
Alisha	Webb	RSD 7541, Bass Highway	SASSAFRAS		0456 784 887
Marj	Weeks	59 Blackwood Parade	BURNIE	03 6433 0813	0408 330 813
Phillip	Weeks	59 Blackwood Parade	BURNIE	03 6433 0813	0408 330 813
Allan	Wilton	6 Hopkins St	LEITH	03 6428 3569	0409 516 290
Rex	Woodberry	293 Murchison Highway	SOMERSET		0490 255 970
Zane	Woodberry	49A Adelaide St	WESTBURY	03 6393 1105	0418 526 521